

# PFM 360

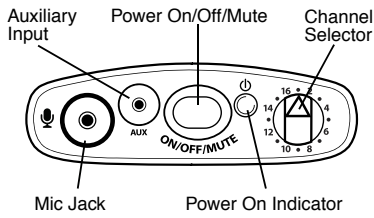
Motiva™ Personal FM System



Maximize a student's ability to listen with the Motiva™ PFM 360 from Williams Sound. Personal FM systems eliminate background noise and other distractions, and ensure that the speaker's message is heard by everyone in the room. It's perfect for classrooms, job training, consultation and more. Portable, no wire, no hassle. Each PFM 360 system has a range of up to 150 feet, and will operate up to 21 hours at one time. Versatile 3.5 mm jack allows for a variety of earphone and headphone options, or equipped with a neckloop and it is compatible with most telecoil-equipped hearing aids. The PFM 360 includes an R36 receiver, which features a sensitive environmental microphone: this gives the listener more flexibility on what they want to hear. By turning on the environmental mic, they can listen to a nearby classmate speak more clearly. The T36 transmitter has an additional auxiliary input feature allowing the user to add another audio source i.e. MP3 or CD player, into the system. This gives the user the ability to mix that auxiliary input with the microphone input.

# Motiva™ Personal FM System

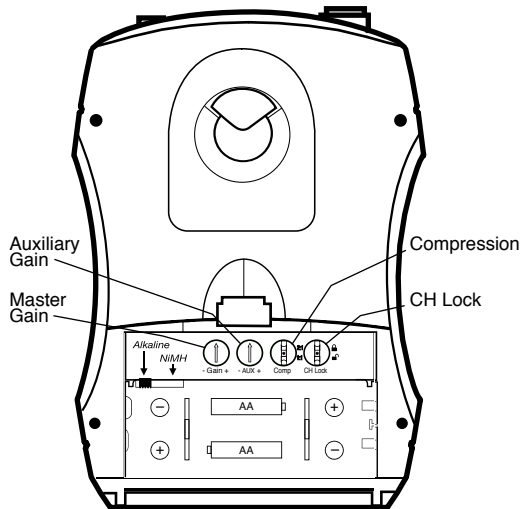
## PFM T36 FM Transmitter:



T36 Top



T36 Front

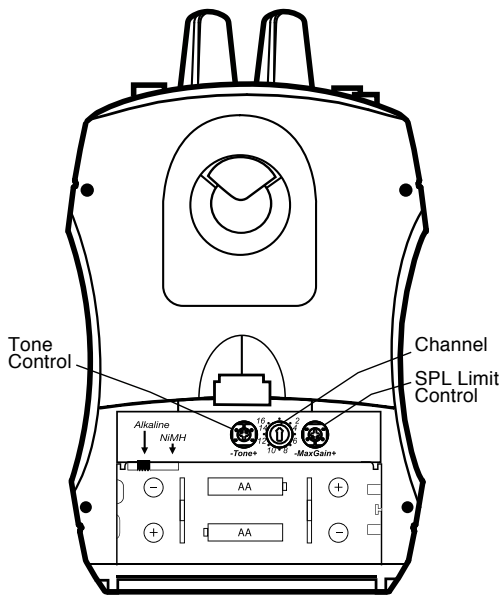
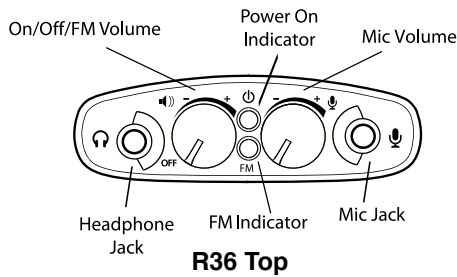


T36 Batt Comp/Controls

<b>Dimensions:</b>	4.1" L x 2.8" W x 1.1" H (104 mm x 71 mm x 28 mm)
<b>Weight:</b>	2.6 oz (74 g), no batteries
<b>Housing Material:</b>	Shatter-resistant PC/ABS plastic
<b>Battery Type:</b>	Two (2) AA 1.5 V non-rechargeable Alkaline batteries (BAT 001), 70 mA nominal current drain, 30 hours approx. life or Two (2) AA 1.5 V NiMH rechargeable batteries (BAT 026), 70 mA nominal current drain, 20 hours per charge approx., recharges in 14-16 hours, uses CHG 3502 or CHG 3512 Charger
<b>Operating Freq's:</b>	Selectable, 16 channels, 72.1 – 75.9 MHz* (channels 1-8 correspond with R35-8 receiver channels)
<b>Stability:</b>	± .005%, frequency synthesized, crystal reference, PLL
<b>Modulation:</b>	Wide-band FM, 75 kHz pk, 75 µS pre-emphasis
<b>RF Output:</b>	80 mV/m at 3 m (max. allowed by FCC rules)
<b>Freq Response:</b>	200 Hz to 13 kHz, ± 3 dB at 1% max. THD
<b>Signal-to-Noise Ratio:</b>	65 dB (typical) transmitted
<b>Transmit Antenna:</b>	Integral with microphone cord
<b>Microphone:</b>	Electret type, 3.5 mm mono phone plug
<b>External Controls:</b>	Momentary push button: push and hold 3 seconds for power On/Off, push and release for microphone mute On/Off; Rotary sixteen channel switch (with internal channel lock switch)
<b>Mic Input:</b>	3.5 mm mono phone jack with electret mic bias, internal adjustable master gain with 25 dB range
<b>Aux Input:</b>	2.5 mm stereo phone jack, internal adjustable gain with 60 dB range
<b>Audio Compression:</b>	1:1 or 2:1 ratio selected with internal slide switch
<b>Compatible Receivers:</b>	PFM R31, PFM R32, PFM R33, PFM R36, PPA R35, PPA R35-8, PPA R1600
<b>Approvals/Directives:</b>	FCC, Industry Canada, RoHS, WEEE
<b>Warranty:</b>	5 years, parts and labor (90 days on accessories)

# Motiva™ Personal FM System

## PFM R36 FM Receiver:



<b>Dimensions:</b>	4.6" L x 2.8" W x 1.1" H (116 mm x 71 mm x 28 mm)
<b>Weight:</b>	3.4 oz (96 g), no batteries
<b>Color:</b>	Titanium and Black
<b>Housing Material:</b>	Shatter-resistant PC/ABS plastic
<b>Battery Type:</b>	Two (2) AA 1.5 V non-rechargeable Alkaline batteries (BAT 001), 70 mA nominal current drain, approximately 21 hours life, or Two (2) AA 1.5 V NiMH rechargeable batteries (BAT 026), 70 mA nominal current drain, approximately 17 hours per charge, recharges in 14-16 hours, uses CHG 3502 or CHG 3512 Charger.
<b>Operating Frequencies:</b>	Selectable, 16 channels, 72.1 – 75.9 MHz*
<b>FM Deviation:</b>	± 75 kHz max synthesized, crystal reference, PLL
<b>Sensitivity:</b>	2.5 µV at 12 dB Sinad with Squelch defeated
<b>Freq Response:</b>	200 Hz to 12 kHz, -3 dB
<b>Signal-to-Noise Ratio:</b>	62 dB at 100 µV
<b>Receive Antenna:</b>	Integral with earphone/headphone cord
<b>External Controls:</b>	FM Volume: rotary control with on/off switch Environmental Mic Volume: Rotary control
<b>Internal Controls:</b>	Tone: Rotary control Channel: 16 position rotary switch Output (SPL) Limit: Rotary control Squelch: rotary control
<b>Indicators:</b>	On/off/low battery and FM LED's
<b>Mic Input:</b>	3.5 mm mono phone jack with electret microphone bias, external adjustable gain with 50 dB range
<b>Audio Output:</b>	Stereo jack produces 30 mW, max at 16 Ohm, can be reduced by internal SPL limit control up to 17 dB
<b>Approvals/Directives:</b>	FCC, Industry Canada, RoHS, WEEE
<b>Warranty:</b>	5 years, parts and labor (90 days on accessories)

\*DISCLAIMER: FCC RULES LIMIT USE OF THIS EQUIPMENT TO AUDITORY ASSISTANCE FOR THE HANDICAPPED.

# Motiva™ Personal FM System

---

## Bid Specs:

The PFM T36 is a wide band body-pack transmitter and shall operate on 16 selectable frequencies between 72MHz and 76MHz. It shall operate for up to 30 hrs with two AA Alkaline batteries and shall be housed in a titanium colored PC/ABS plastic enclosure. The T36 shall have a 3.5 mm microphone jack and a 2.5 mm auxiliary audio input jack. The T36 shall have access to channel select, compression on/off, channel lock, master gain and aux gain inside the battery compartment. There shall be a power switch which also serves as a microphone mute control on the top bezel of the transmitter.

The T36 shall have wide band modulation at 75KHz peak with a frequency response of 200Hz to 16KHz. The transmitting antenna shall be integrated into the 40 inch microphone cable.

The PFM T36 shall be covered under a five year parts and labor warranty. This transmitter shall be the Williams Sound PFM T36.

The Williams Sound PFM R36 shall be a wideband 16 channel synthesized FM receiver operating on 72MHz to 76MHz. It shall be housed in a titanium colored PC/ABS plastic enclosure 4.6" x 1.1" x 2.8" and be compatible with CHG 3502 and CHG 3512 chargers.

The R36 shall be powered by two AA batteries and shall run for 21 hours on two alkaline disposable batteries and 17 hours on the Williams Sound BAT 026 rechargeable batteries.

The R36 shall have the antenna integrated into the headphone cord. The top bezel shall have a 3.5mm stereo jack that can drive both stereo and mono headphones, a rotary on/off volume control, 3.5mm environmental microphone input, a rotary microphone gain control and have a power LED and an FM indication LED.

Inside the battery compartment there shall be a rotary tone control, a sixteen position channel selector, an Alkaline or NiMH switch to select for charging operation and an output control which can reduce the maximum output by up to 17dB.

The R36 shall be FCC, Industry Canada and RoHS compliant and shall have a five year warranty.

This receiver shall be the Williams Sound PFM R36.

**NOTE: SPECIFICATIONS SUBJECT TO CHANGE WITHOUT NOTICE!**

### Domestic Sales

Williams Sound  
10300 Valley View Rd.  
Eden Prairie, MN 55344  
Ph: 800-328-6190 / 952-943-2252  
FAX: 952-943-2174  
Email: [info@williamssound.com](mailto:info@williamssound.com)  
Web: [www.williamssound.com](http://www.williamssound.com)

### International Sales

International Sales Department  
Williams Sound  
10300 Valley View Rd.  
Eden Prairie, MN 55344 USA  
Phone: +1 952 943 2252  
Fax: +1 952 943 2174  
Email: [info@williamssound.com](mailto:info@williamssound.com)  
Web: [www.williamssound.com](http://www.williamssound.com)



800.843.3544 / [info@williamssound.com](mailto:info@williamssound.com) / [www.williamssound.com](http://www.williamssound.com)