



MANUAL AND USER GUIDE

SoundPlus[™] Infrared System

Model WIR 952

Transmitter Model WIR TX295
Receiver Model WIR RX295

CONTENTS	PAGE
System Overview	3
System Components	3
Safety Information	4
Recycling Instructions	5
Operating Instructions	6
WIR TX295 Transmitter	6
WIR RX295 Receiver	9
In Case of Difficulty	11
Warranty	12
System Specifications	14

SYSTEM OVERVIEW

Thank you for purchasing the WIR 952 Infrared System from Williams Sound Corp. Anyone needing auditory assistance to overcome background noise, reverberation, or distance from the sound source can benefit from the WIR 952.

You can use the WIR 952 for hearing assistance in conference rooms, listening to the TV, or with other audio equipment. The TX295 Transmitter features an Automatic Level Control to adjust for different audio signal levels and to maintain a comfortable listening level.

NOTE: The WIR 952 Infrared System is not recommended for use with a PLASMA TV MONITOR.

If you have problems at anytime with the WIR 952, do not hesitate to call us toll-free at 1-800-843-3544.

SYSTEM COMPONENTS

- WIR TX295 Transmitter
- Power Supply
- TV Microphone (MIC 084)
- WIR RX295 Receiver
- 1m Audio Cable with dual RCA plugs (WCA 078)
- Two Rechargeable Batteries (BAT AP97A)

SAFETY INFORMATION

Hearing Safety:



This product is designed to amplify sounds to a high volume level which could potentially cause hearing damage if used improperly.

To protect your hearing and the hearing of others:

1. Make sure the volume is turned down before putting on the ear-phone or headphone before adjusting the volume to a comfortable level.
2. Set the volume level at the minimum setting that you need to hear.
3. If you experience feedback (a squealing or howling sound), reduce the volume setting and move the microphone away from the ear-phone or headphone.
4. Do not allow children **or other unauthorized persons** to have access to this product.

Battery Safety and Disposal:



This product is supplied with disposable Alkaline batteries. Do not attempt to recharge disposable batteries, which may explode, release dangerous chemicals, cause burns, or other serious harm to the user or product.

Pacemaker Safety:



1. Before using this product with a pacemaker or other medical device, consult your physician or the manufacturer of your pacemaker or other medical device.
2. If you have a pacemaker or other medical device, make sure that you are using this product in accordance with safety guidelines established by your physician or the pacemaker manufacturer.

RECYCLING INSTRUCTIONS



Help Williams Sound protect the environment! Please take the time to dispose of your equipment properly.

Product Recycling for Customers in the European Union:

Please do NOT dispose of your Williams Sound equipment in the household trash. Please take the equipment to an electronics recycling center; OR, return the product to the factory for proper disposal.

Battery Recycling for Customers in the European Union:

Please do NOT dispose of used batteries in the household trash. Please take the batteries to a retail or community collection point for recycling.

8/11/05

SETTING UP THE TX295 TRANSMITTER

NOTICE: THE RECHARGEABLE BATTERIES ARE SHIPPED IN A DISCHARGED STATE. THE BATTERIES MUST BE CHARGED OVERNIGHT BEFORE USING THE WIR 952 SYSTEM.

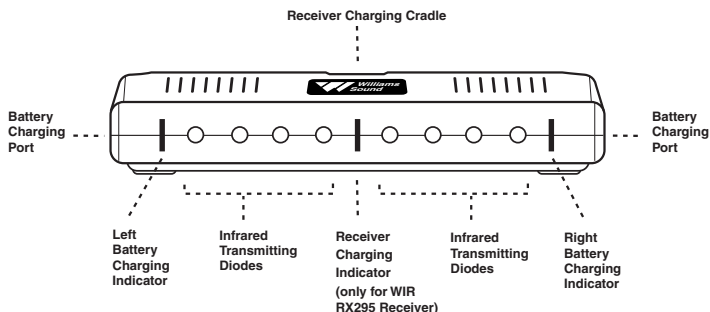
The WIR TX295 Transmitter may be placed on top of a TV or shelf. Place the TX295 Transmitter where it is clearly visible from your listening position.

Infrared light behaves like visible light, so it is blocked by solid objects. This confines the signal to the room where the transmitter is located. The Transmitter cannot be placed inside or behind anything except glass. The maximum operating distance is approximately 30 feet (9 m).

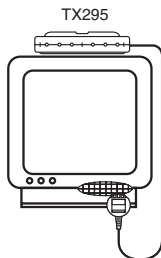
Ideally, the TX295 Transmitter should be at ear-level height or above. The infrared light pattern is much like a floodlight “cone” as it leaves the transmitter, with the best reception inside the cone.

Sunlight can cause infrared interference in the form of a buzz, hiss, or static. Thus, the system cannot be used outdoors and may not work properly inside if a lot of direct sunlight is present. Closing drapes or blinds will help if sunlight is a problem.

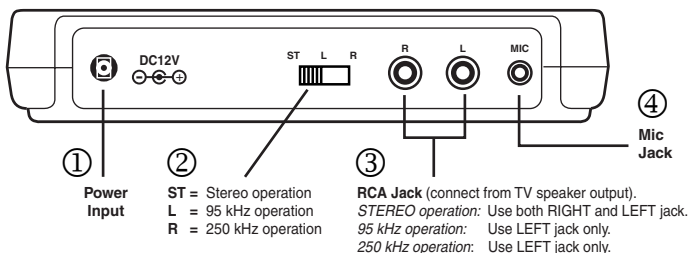
Any number of receivers may be used with the TX295 Transmitter, but use only one transmitter in a room at the same time. Otherwise, interference will occur.



- ⑤ **TV Microphone**
If an RCA connection is unavailable, use the provided TV microphone to pickup the sound source directly from the TV loud speaker as shown on right.



TX295 Transmitter (Rear View)



STEP 1: CONNECT THE TRANSMITTER POWER SUPPLY

Plug the Power Supply cord into the “DC 12V” jack ① on the back of the TX295. Then plug the Power Supply into an AC outlet. When the receiver is placed into the charging cradle built into the top of the transmitter, the center charging indicator on the front of the TX295 will turn on. When the spare battery is plugged into the left or right battery charging port on the transmitter, the corresponding charge indicator light will turn on.

STEP 2: CONNECT THE TRANSMITTER TO THE AUDIO SOURCE

Use the Audio Cable supplied to connect the TX295 Transmitter directly to the TV, VCR, or other equipment output jacks:

STEREO OPERATION: (RECOMMENDED FOR HIGHEST AUDIO QUALITY): 1) Connect the RCA plugs from the TV or VCR speaker output into the LEFT and RIGHT RCA jacks on the TX295 transmitter ③. Next, slide the stereo/mono switch ② on the TX295 transmitter into the “ST” position. Your transmitter is now set for stereo operation. Lastly, you will need to adjust the RX295 receiver for stereo transmission (see instructions on page 9).

95 kHz (MONO) OPERATION: 1) Connect the LEFT RCA plug from the TV or VCR speaker output into the LEFT RCA jack on the TX295 transmitter ③ (the right jack should be left unplugged). Next, slide the stereo/mono switch to the “L” Left position ②. The transmitter is now set for 95 kHz operation. Lastly, you will need to adjust the RX295 receiver for 95 kHz operation (see instructions on page 9).

250 kHz (MONO) OPERATION: 1) Connect the LEFT RCA plug from the TV or VCR speaker output into the LEFT RCA jack on the TX295 transmitter ③ (the right jack should be left unplugged). Next, slide the stereo/mono switch ② to the “R” Right position. The transmitter is now set for 250 kHz operation. Lastly, you will need to adjust the RX295 receiver for 250 kHz operation (see instructions on page 9).

If an RCA connection is unavailable, use the provided TV MICROPHONE ⑤ to pickup the desired sound source. Plug in the microphone into the Mic Jack on the rear of the TX295 transmitter ④. Use the velcro strip supplied to attach the microphone near the loudspeaker ④ of your TV or stereo.


The microphone will allow you to play the TV at lower volume for other listeners and will pick up other important sounds like the telephone or doorbell ringing.

SETTING UP THE RX295 RECEIVER

STEP 1: INSTALL THE RECEIVER BATTERIES

Insert the Rechargeable battery into the bottom of the RX295 Receiver (see page 10). Place the Receiver into the charger cradle built into the top of the TX295 Transmitter and let charge overnight. The spare battery can be plugged into the charging port located on either side of the Transmitter. By keeping the spare battery charged, you can easily swap batteries when the one in use runs out and always have a fresh battery ready. A fully charged battery will operate the receiver for approximately 6 hours, depending on the volume setting. The battery should be changed when you notice the sound getting weak and noisy or if the Receiver indicator light is not on. The batteries may be left charging when not in use.

STEP 2: USING THE WIR RX295 RECEIVER

Choose between *stereo*, 95 kHz or 250 kHz (mono) operation. Slide the channel selector switch to the  position for stereo. For 95 kHz operation, slide the channel selector switch to the "A" position (mono). For 250 kHz operation, slide the channel selector switch to the "B" position (mono). **IMPORTANT: Make sure you are operating on the same frequency as the TX295 transmitter!**

To use the system, first check to make sure your TV or Audio Source is turned ON. Make sure the Receiver battery is fully charged. The RX295 Receiver has an automatic on/off function. When you put the receiver on, it turns on. When you take the receiver off, it turns off. Rotate the Volume Control to adjust the volume to a comfortable level.

A dual detector infrared "eye" is located on the front of the receiver. Do not cover it up or you will lose reception. Make sure the "SOUND PLUS" lettering is facing away from you when you put the receiver on.

Return the Receiver to the charger when it is not in use.

ADDITIONAL RECEIVER ADJUSTMENTS

Balance Control: Use a small screwdriver to adjust the loudness balance between the Left and Right Earphones.

Tone Controls: Use a small screwdriver to adjust the tone for the left and right earphones.

Ear Cushions: Replacement Ear Cushions are available from your Williams Sound dealer, Part Number EAR 031.

**RX295 Receiver
(Front View)**

Volume
Control

Channel Selector

- A : 95 kHz
- ⊕ : Stereo
- B : 250 kHz

Sound Plus®

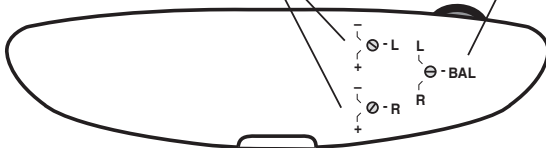


Battery (BAT AP97A)

RX295 Receiver (Rear View)

Tone Controls

Balance Control



IN CASE OF DIFFICULTY

If the system does not seem to be functioning:

1. Read through the manual and user guide carefully to verify proper setup and installation of your system.
2. Make sure that your television or VCR is plugged in and turned on.
3. Make sure that the TX295 transmitter's power adapter is plugged in.
4. If you are operating in STEREO mode and receiving static or hiss, you may have to operate in 95 kHz or 250 kHz mode (see page 7 for instructions).
5. If you are operating in 95 kHz or 250 kHz mode, make sure you are using only the LEFT RCA jack on the TX295 transmitter (the right jack should be left unplugged). Also, make sure you have the receiver setup to operate on the same frequency as the transmitter.
6. If you're using the TV Mic and not getting a signal, try turning the TV volume up slightly. Also, try positioning the TV Mic directly over the TV speaker.
7. Make sure that the RX295 Receiver has a fully charged battery.
8. Make sure you are not covering the RX295's infrared "eye." Remove any objects obstructing the line between the TX295 Transmitter and the RX295 Receiver. The "SoundPlus" label should be facing towards the TV while you listen.
9. If you've installed the TX295 Transmitter other than on top of the TV, make sure that its front panel is facing the RX295 Receiver.
10. If the system still does not function, call Williams Sound at 1-800-843-3544.

LIMITED WARRANTY

Williams Sound products are engineered, designed and manufactured under carefully controlled conditions to provide you with many years of reliable service. Williams Sound warrants the SoundPlus™ Infrared System against defects in materials and workmanship for FIVE (5) years. During the first five years from the purchase date, we will promptly repair or replace the SoundPlus™ Infrared System.

Microphones, earphones, headphones, batteries, chargers, cables, carry cases, and all other accessory products carry a 90-day warranty.

WILLIAMS SOUND HAS NO CONTROL OVER THE CONDITIONS UNDER WHICH THIS PRODUCT IS USED. WILLIAMS SOUND, THEREFORE, DISCLAIMS ALL WARRANTIES NOT SET FORTH ABOVE, BOTH EXPRESS AND IMPLIED, WITH RESPECT TO THE SOUNDPLUS™ INFRARED SYSTEM, INCLUDING BUT NOT LIMITED TO, ANY IMPLIED WARRANTY OF MERCHANTABILITY OR FITNESS FOR A PARTICULAR PURPOSE. WILLIAMS SOUND SHALL NOT BE LIABLE TO ANY PERSON OR ENTITY FOR ANY MEDICAL EXPENSES OR ANY DIRECT, INCIDENTAL OR CONSEQUENTIAL DAMAGES CAUSED BY ANY USE, DEFECT, FAILURE OR MALFUNCTION OF THE PRODUCT, WHETHER A CLAIM FOR SUCH DAMAGES IS BASED UPON WARRANTY, CONTRACT, TORT OR OTHERWISE. THE SOLE REMEDY FOR ANY DEFECT, FAILURE OR MALFUNCTION OF THE PRODUCT IS REPLACEMENT OF THE PRODUCT. NO PERSON HAS ANY AUTHORITY TO BIND WILLIAMS SOUND TO ANY REPRESENTATION OR WARRANTY WITH RESPECT TO THE SOUNDPLUS™ INFRARED SYSTEM. UNAUTHORIZED REPAIRS OR MODIFICATIONS WILL VOID THE WARRANTY.

The exclusions and limitations set out above are not intended to, and should not be construed so as to contravene mandatory provisions of applicable law. If any part or term of this Disclaimer of Warranty is held to be illegal, unenforceable or in conflict with applicable law by a court of competent jurisdiction, the validity of the remaining portions of this Disclaimer of Warranty shall not be affected, and all rights and obligations shall be construed and enforced as if this Limited Warranty did not contain the particular part or term held to be invalid.

If you experience difficulty with your system, call Toll-Free for Customer Assistance:

1-800-843-3544

If it is necessary to return the system for service, your Customer Service Representative will give you a Return Authorization Number (RA) and shipping instructions.

Pack the system carefully and send it to:

Williams Sound Corp.
Attn: Repair Dept.
10321 West 70th Street
Eden Prairie, MN 55344

WIR 952

SYSTEM SPECIFICATIONS:

Models:	WIR 952	(N. America)
	WIR 952-01	(EURO)
	WIR 952-02	(UK)

WIR TX295 Transmitter:

Size, Weight, Color:	6.25"L x 3.25"W x 1.25"H (15.9cm x 8.3cm x 3.2cm), 5.1oz. (140g), Gray
Power Input:	12 VDC (center is positive), 200 mA Class II wall transformer TFP 024 Power Supply: North America: 120VAC, 60Hz, UL/CSA TFP 032 Power Supply, 2 pin Euro mains plug, 230VAC, 50-60 Hz, CE TFP 033 Power Supply, 3 pin UK mains plug, 230VAC, 50-60 Hz, CE
Subcarrier Frequency:	95 kHz or stereo or 250 kHz
Auto Power On/Off:	Transmitter shuts off infrared after 1.5 minutes when audio signal is removed. Battery charging functions remain on full time.
Microphone Input:	3.5 mm jack for MIC 084 Electret TV Microphone, 1.5 k Ω
Line Inputs:	2 RCA jacks for mono or stereo line-level sources 200 mV min. to 10 V rms max. input level, 5.1 k Ω
Automatic Level Control:	35 dB compression range
Infrared LEDs, Pattern:	8 IR LEDs, 45 degree cone-shaped coverage pattern to 6dB intensity, 30ft. (9m) line of sight
Charging Ports:	Charges one WIR RX295 Receiver plus two additional BAT AP97A NiMH battery packs
Warranty:	5 years*

WIR RX295 Receiver:

Weight:	2.1 oz (60 g) with batteries
Material and Color:	ABS plastic, Black and Grey
Battery Type, Life:	BAT AP97A NiMH Battery Pack, 6 hours
Modulation Frequency:	95 kHz or stereo or 250 kHz
Frequency Response:	200 Hz to 8 kHz, \pm 5 dB
Signal to Noise Ratio:	60 dB at 30 ft. (9m)
Controls:	Volume control thumbwheel; screw-driver adjust balance and (L & R) tone controls
Acoustic Output:	112 dB MAX SSPL90 with 2 cc coupler
Compatibility:	Compatible with most wide-band 95kHz IR Transmitters
Power Switch:	Built into receiver "arms"
On Indicator:	Green LED
Ear pads:	Uses EAR 031 foam cushions
Warranty:	5 years*

*90 days on cords, batteries, power supply and other accessories.



Williams Sound Corp.

10321 West 70th St., Eden Prairie, MN 55344

U.S.A. 800-328-6190 / 952-943-2252 / FAX: 952-943-2174

www.williamssound.com

©2005, Williams Sound Corp. MAN 112D